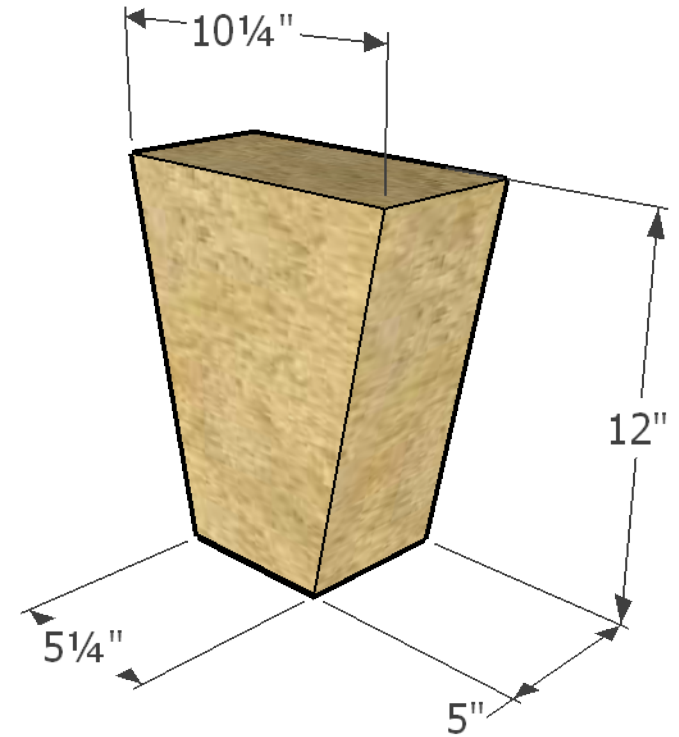


**A** Product #6-5P  
**1** Front View



**A** 12" Flat Faced  
**1** Perspective

All shop drawings are final. By signing shop drawing customer takes responsibility for all dimensions, color, texture, profiles etc...Shop drawings superceed blue prints, verbal agreements.

X

DATE:

**JAM-STONE™**

*Complete Window Trim Solutions*

Customer:

Finish:

Color:

Required Date:

Comment: