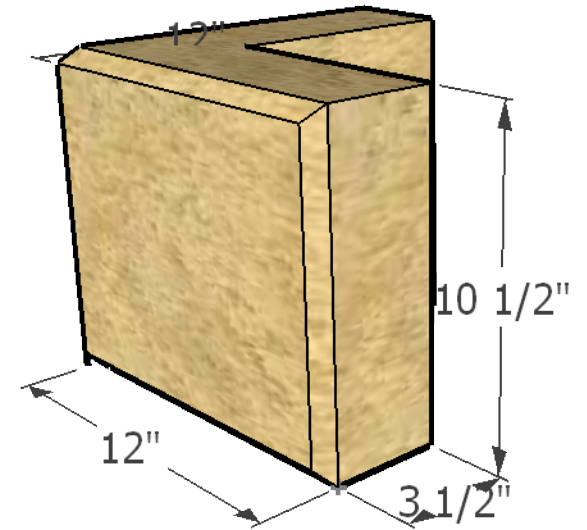


A  
1
**Product #55-3R**  
 Top View



A  
1
**12" x 12" Beveled Quoins**  
 Perspective

All shop drawings are final. By signing shop drawing customer takes responsibility for all dimensions, color, texture, profiles etc...Shop drawings superceed blue prints, verbal agreements.

X

DATE:

**JAM-STONE™**

*Complete Window Trim Solutions*

Customer:

Finish:

Color:

Required Date:

Comment: