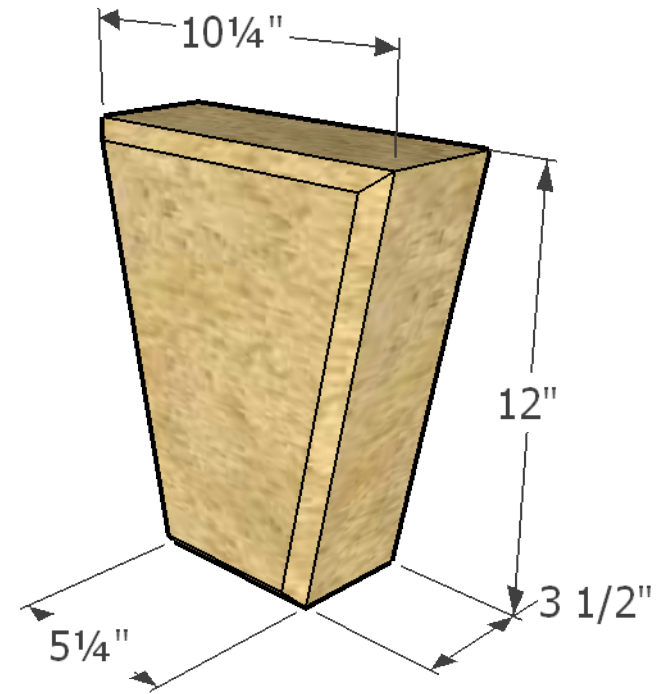


A
1 Product #5-2P
Front View



A
1 12" Beveled
Perspective

All shop drawings are final. By signing shop drawing customer takes responsibility for all dimensions, color, texture, profiles etc...Shop drawings superceed blue prints, verbal agreements.

X _____ DATE: _____

JAM-STONE™
Complete Window Trim Solutions

Customer:
Finish:
Color:

Required Date:
Comment: