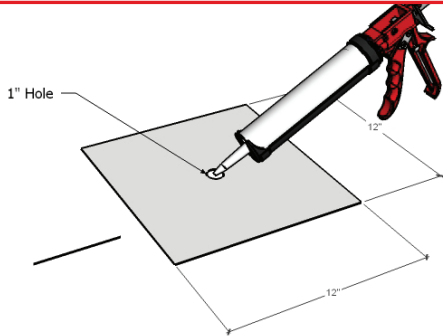


JAM-STONE™

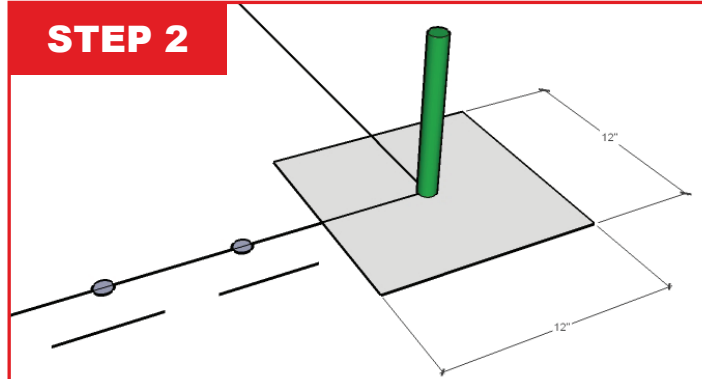
Newel Post Installation Guide

STEP 1



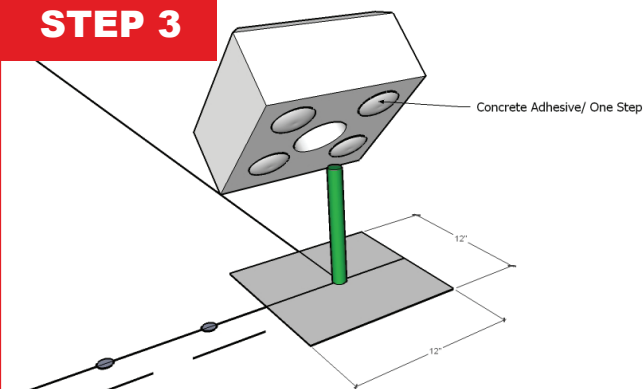
Drill a 1" hole 3½" deep in the center of where the newel post base will be placed. Clean hole and then fill ¾ full with 2 part epoxy, thin set or 1 step. (concrete adhesive)

STEP 2



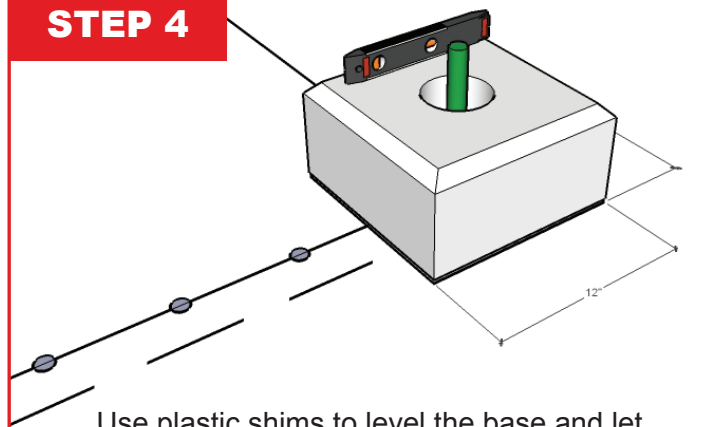
Insert a 12" piece of ½" rebar into the hole.

STEP 3



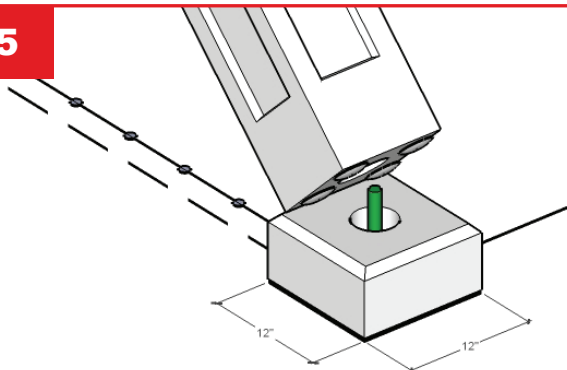
Apply concrete adhesive to the bottom of the newel post base and set in place.

STEP 4



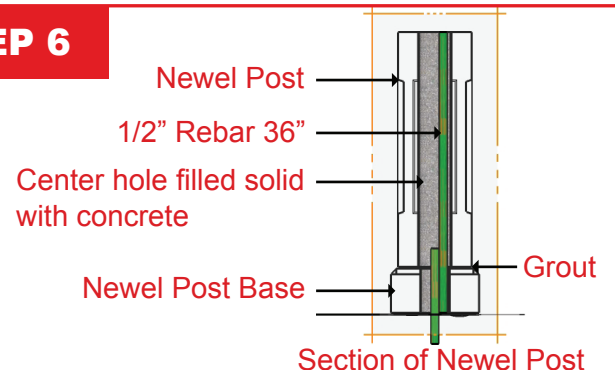
Use plastic shims to level the base and let dry before installing shaft on top of the base.

STEP 5



Apply concrete adhesive to the bottom of the newel post and set in place. Use plastic shims to help level and space the shaft on the base.

STEP 6



Fill the hole in the base and shaft solid with concrete and insert 1/2" rebar in filled hole through the base and shaft. *Tip: Grout joint between base & shaft prior to filling*